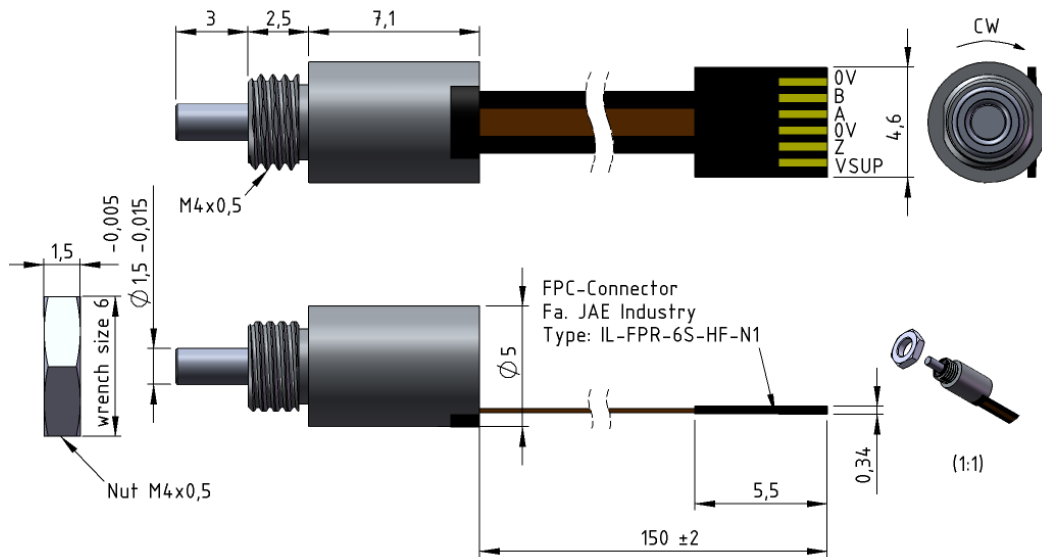
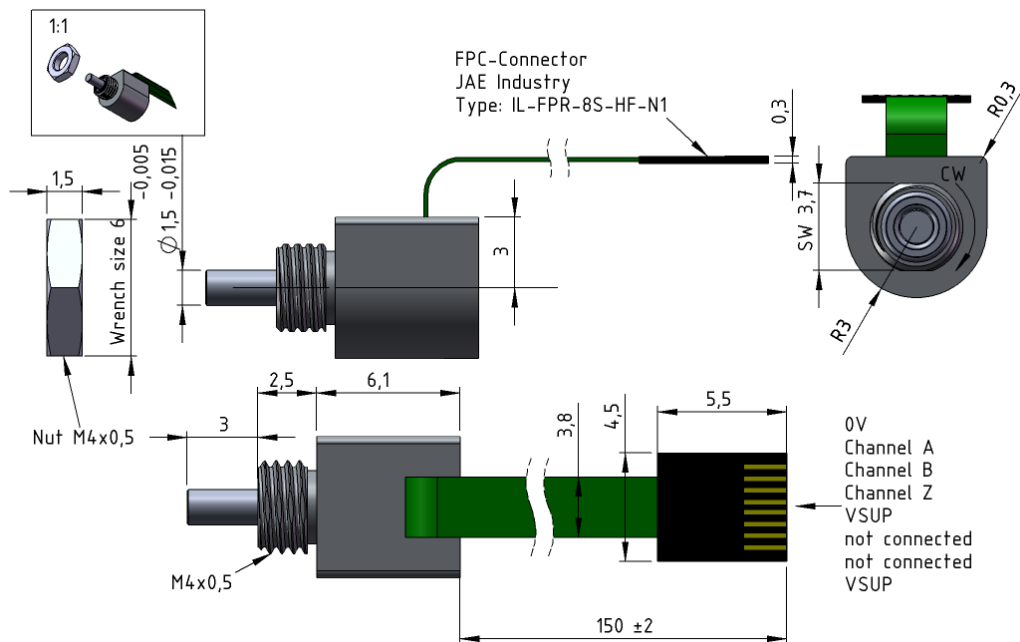


MOT5



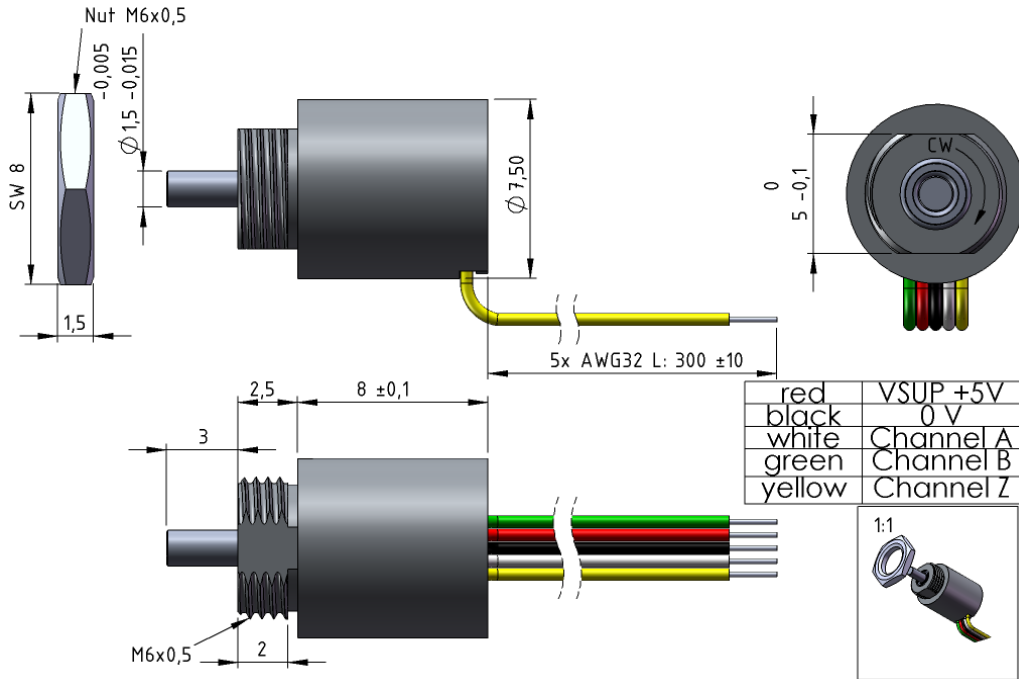
- 64 or 100 ppr
- NPN-voltage output
- 2 channel + index
- Supply voltage 3,2 V
- Ball bearing
- Connector is included in delivery

MOT6



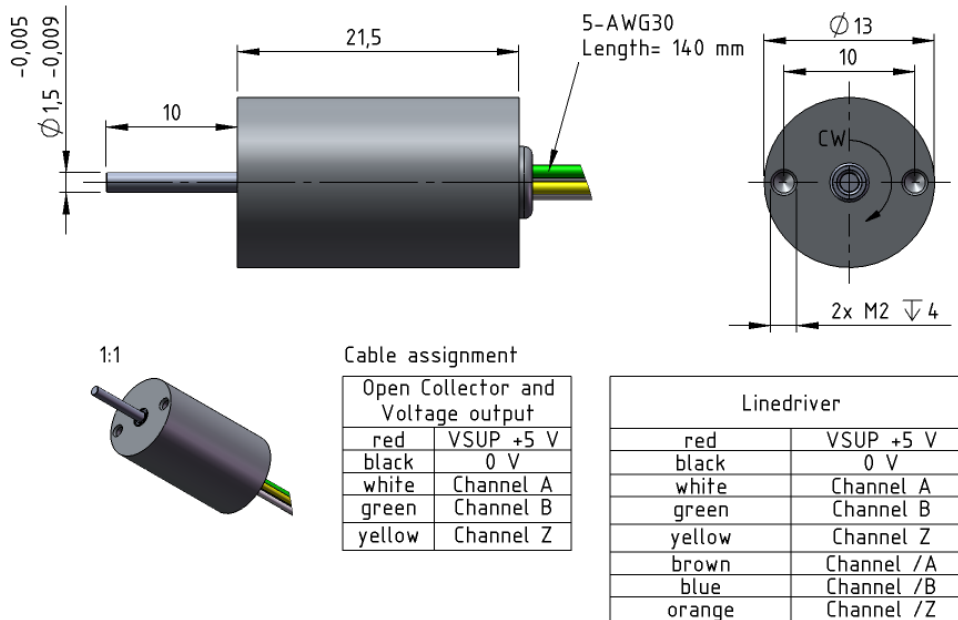
- 1024 ppr due to internal interpolation (64 Pulses x 16)
- NPN-voltage output
- 2 channel + index
- Supply voltage 3,2 V
- Ball bearing
- Connector is included in delivery

MOT8



- 100-500 ppr
- Open collector output
- 2 channel + index
- Ball bearing
- Supply voltage 5V

MOT13



- 100-16000 ppr (2000-16000 pulses due to internal interpolation)
- TTL-, open collector- and line driver output
- 2 channel + index
- Ball bearing
- Supply voltage 5V