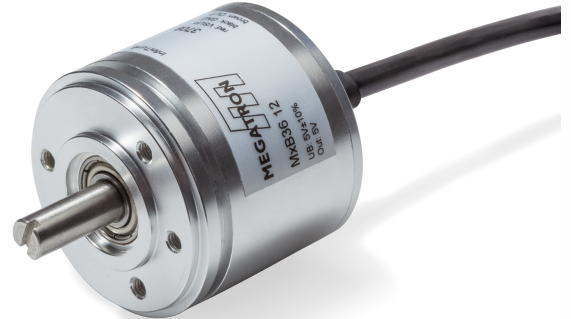


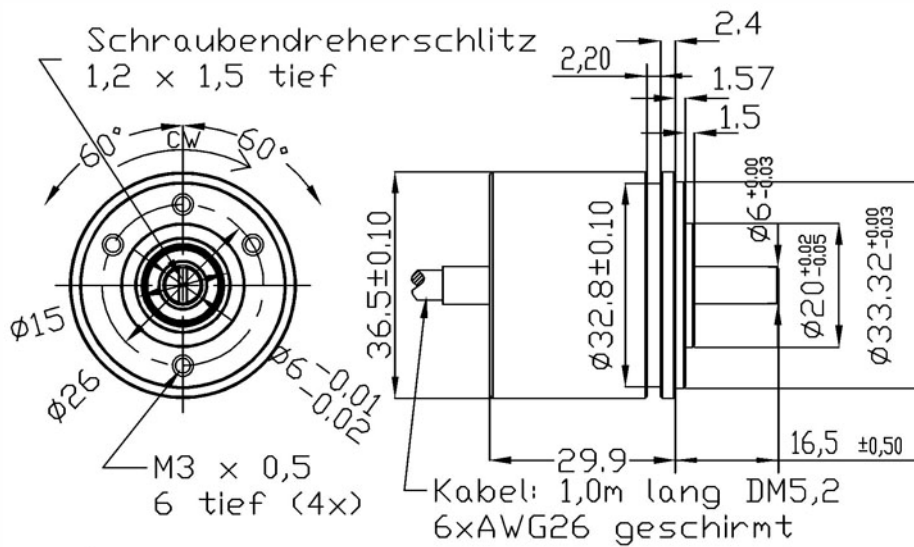
Series MAB36 SER / Hall Effect Absolute Encoder

- Synchronous serial interface (SER)
- Angle range 360°
- Resolutin 10 Bit or 12 Bit
- Supply voltage 5V
- 26 mm housing diameter
- Servo flange
- 2 precision ball bearings

The MAB36 is a multifunctional and robust encoder. The precision ball bearings as well as the magnetic measuring principle are warrants for a high life expectancy.



Drawing



Adernbelegung					
rt	bn	og	ge	gn	sw
VSUP	DO	PRDG*	CLK	CS	GND
*) PRDG bitte NICHT anschließen !					

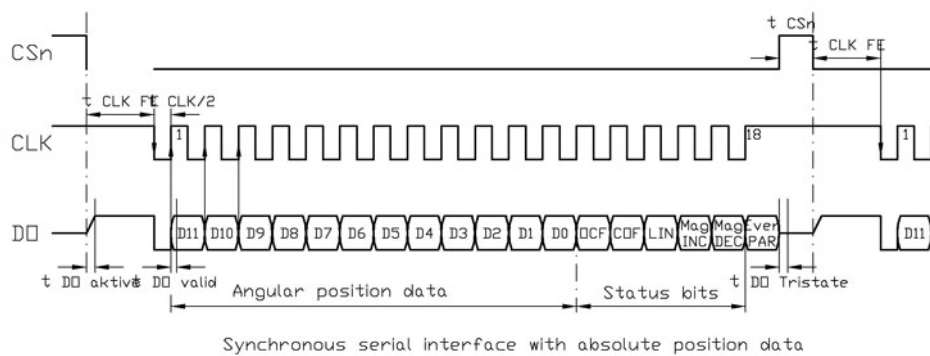
Series MAB36 SER / Hall Effect Absolute Encoder

Electrical Data	
Electrical angle	360°
Independent linearity tolerance	±0,2 %
Resolution	1024 (10 Bit) / 4096 (12 Bit)
Update rate Positionswert	0,1 ms
Versorgungsspannung	5 ± 10% VDC
Versorgungsstrom (ohne Last)	< 20 mA

Mechanical Data	
Maximum rotational speed	6.000 rpm

Other Data	
Protection class (shaft/housing)	IP65
Operating temperature	-25 ... + 85 °C
Storage temperature	-40 ... + 85 °C
Bearing	2 precision ball bearings
Housing material	chromed Aluminium
Shaft material	stainless steel
Weigth	approx. 40 g
Mounting parts, please order separately : Part No. 106 399	3 St. clamps SFN1 (M3 x 0,5)

Timing Diagramm SER-Bus



Falling edge of CS triggers a measurement value

Signal-timing:

tCSn > 500ns

tCLKFE > 500ns

CLK < 1MHz

Remark: Diagramm is for 12 Bit version. Signal timing apply to 10 Bit and 12 Bit version.

Series MAB36 SER / Hall Effect Absolute Encoder

Order Description

Series MAB36	MAB36					
<u>Resolution / Supply voltage / Output signal</u>						
12 bit High Speed / 3.3 V / SER				12HS 3.3 SER (*)		
12 bit High Speed / 5 V / SER				12HS 5 SER (*)		
14 bit High Speed / 5 V / SPI				14HS 5 SPI (*)		
redundant 14 bit / 5 V / SPI		X (*)		14HS 5 SPI (*)		
12 bit / 5 V / SSI				12 5 SSI (*)		
12 bit / 24 V / SSI				12 24 SSI		
<u>Counterclockwise rising signal</u>						
				CCW360 (*)		
<u>Other electrical effective angle</u>						
				C(C)Wxxx (*)		
<u>Zero point alignment (only for SPI)</u>						
					N (*)	
<u>Other shaft length [mm]</u>						
						Axx (*)
<u>Cable output</u>						
Axial - 1 m						-
Round connector M12						M12
Axial [m]						CVxx(*)
Radial [m]						CVRxx(*)

"bold print = standard option"

short-term stock types can be found on: <http://www.megatron.de/en/stocklists/angle-sensors/lagerliste.html>

(*) = on request available for projects

23.02.2015