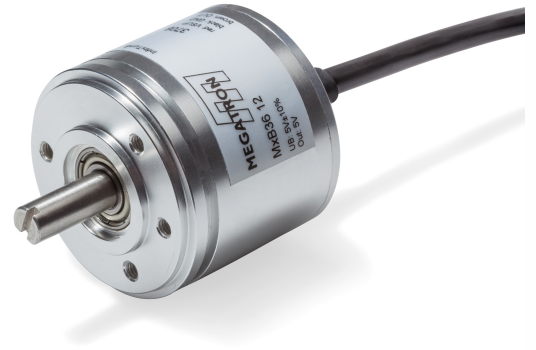


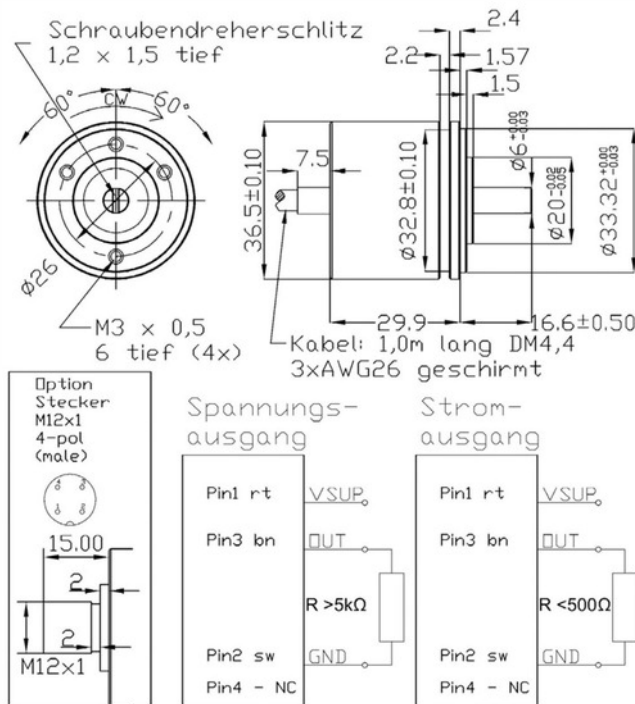
Serie MAB36A / Hall Effect Absolute Encoder

- Angle range 360° (special angles on request)
- 12 Bit resolution
- Analog output: 0-5V, 0-10V, 4-20mA
- Supply voltage: 5V, 24V
- 36 mm housing diameter with servoflange
- Precision ball bearings

When cost effectiveness, rugged operation and versatility are the paramount, then the MAB36A is the ideal solution. 2 precision ball bearings and the magnetic measuring principle are warrants for a high life expectancy.



Drawing



Serie MAB36A / Hall Effect Absolute Encoder

Electrical Data	Voltage Output		Current Output
Electrical angle	360° (other angles on request)		
Independent linearity tolerance	0,3 %		
Resolution	4096 Steps (12 Bit)		
Update rate	1,0 ms = Standard Speed 0,2 ms = High Speed		
Signal output	0,5 V ratiometric	0-10 V	10V / 4-20 mA
Supply voltage	5 VDC ± 10%	15-30 VDC	8-30 VDC
Supply current (no load)	< 20 mA		
Signal load	> 5 kOhm		< 500 Ohm

Mechanical Data	
Maximum rotational speed	6000 rpm

Other Data	
Protection class shaft and housing	IP65
Operating temperature	-25 ... +85° C
Storage temperature	-40 ... +85° C
Bearing	2 precision ball bearings
Material housing	chromed Aluminium
Material shaft	stainless steel
Mounting parts (please order separately: Part-No. 106399)	3 clamps SFN1, incl. screws M3 x 0,5
Weigth	approx. 50 g

Serie MAB36A / Hall Effect Absolute Encoder

Order Description

Series MAB36A with single electronics	MAB36A					
<u>Resolution / Update Rate</u>						
12 bit / Standard Speed (*)		12 (*)				
12 bit / High Speed		12HS				
<u>Supply voltage / Output signal</u>						
5 V / 0...5 V			0505 (*)			
24 V (9...30 V) / 0...5 V			2405 (*)			
24 V (15...30 V) / 0...10 V			2410			
24 V (9...30 V) / 4...20 mA			2442			
24 V (9...30 V) / 0...20 mA			2420 (*)			
Counterclockwise rising signal				CCW360 (*)		
Other electrical effective angle				C(C)Wxxx (*)		
Clockwise rising signal; 360°, zero point alignment					N	
Other shaft length [mm]						Axx (*)
<u>Cable output</u>						
Axial - 1 m						-
Round connector M12						M12
Axial [m]						CVxx(*)
Radial [m]						CVRxx(*)
Series MAB36A with redundant electronics	MAB36A	X				
<u>Resolution / Update Rate</u>						
12 bit / Standard Speed (*)		12 (*)				
12 bit / High Speed		12HS				
<u>Supply voltage / Output signal</u>						
5 V / 0...5 V			0505 (*)			
24 V (9...30 V) / 0...5 V			2405 (*)			
24 V (15...30 V) / 0...10 V			2410			
Clockwise rising signal; 360°, zero point alignment				CW360/CW360 N		
Counterclockwise rising signal at both channels				CCW360/CCW360 (*)		
Other electrical effective angle				C(C)Wxxx/C(C)Wxxx (*)		
Other shaft length [mm]						Axx (*)
<u>Cable output</u>						
Axial - 1 m						-
Round connector M12						M12
Axial [m]						CVxx(*)
Radial [m]						CVRxx(*)

"bold print = standard option"

short-term stock types can be found on: <http://www.megatron.de/en/stocklists/angle-sensors/lagerliste.html>

(*) = on request available for projects

23.02.2015