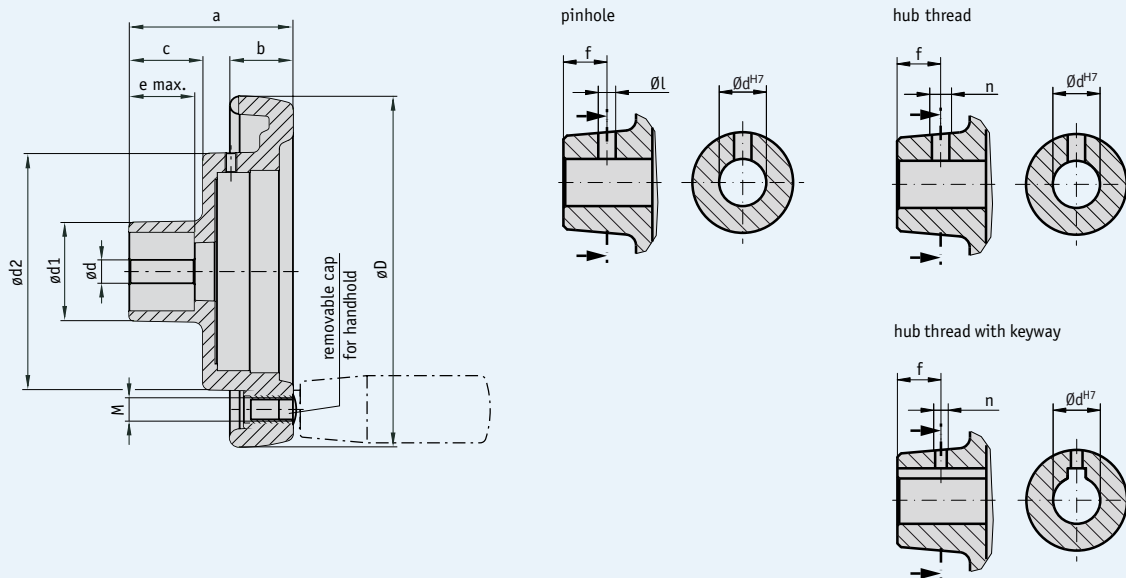


### Profile

- Robust and economic plastic handwheel
- Various sizes
- Hub made of zinc-coated steel for high stability and easy shaft mounting
- Various hub versions
- With thread for mounting a turning handle (see accessories)



### Mechanical data

#### ■ Dimensions

type	ØD	Ødv	Ødx	Ød1	Ød2	a	b	c	e	GfG	suitable for	weight	material
KHB 9	87	5.8	16	32	63	54	17	21	20	M6	S50/1	0.16 kg	plastic, hub: zinc-coated steel
KHB 13	130	6.8	26	42	98.2	66	24	28.5	24	M8	S80/1; SZ80/1	0.35 kg	plastic, hub: zinc-coated steel
KHB 15	150	6.8	26	42	101	70	27	30.5	28	M10	S80/1; SZ80/1	0.43 kg	plastic, hub: zinc-coated steel
KHB 20	200	6.8	30	46	136	72	32	25	23	M10	S120/1	0.81 kg	plastic, hub: zinc-coated steel

dv = d predrilled; dx = d max.; with keyway; GfG = thread for handle

#### ■ Special versions

Handwheel type	KHB 9					KHB 13 / KHB 15						
	6 ... 8	9, 10	11, 12	13, 14	15, 16	7, 8	9, 10	11, 12	13 ... 17	18 ... 20	21 ... 24	25, 26
Bore dH7												
Groove width for keyway JS9		3	4				3	4	5	6		
Pinhole	3.8/8	3.8/8	3.8/8	4.8/8		3.8/12	3.8/12	3.8/12	4.8/12	4.8/12	4.8/12	
Hub thread	no keyway JS9	M4/8	M4/8	M4/8	M6/8	M4/12	M4/12	M4/12	M6/12	M6/12	M6/12	
	with keyway JS9		M3/8	M3/8		M3/12	M3/12	M4/12	M5/12			

Handwheel type	KHB 20						
Bore dH7	7, 8	9, 10	11, 12	13 ... 17	18 ... 22	23 ... 25	26 ... 30
Groove width for keyway JS9		3	4	5	6	8	
Pinhole	3.8/10	3.8/10	3.8/10	4.8/10	4.8/10	4.8/10	
Hub thread	without keyway JS9	M4/10	M4/10	M4/10	M6/10	M6/10	M6/10
	with keyway JS9		M3/10	M3/10	M4/10	M5/10	

Note: Characters highlighted in orange are order features

## Order

### Order table

Feature	Order data	Technical data	Additional information
Handwheel	KHB... A	9, 13, 15, 20	see "Dimensions"
Bore Ød	d vorg. ... B	predrilled, see table above, value Ødv 6 ... 30 d max. in mm steps (H7)	see "Dimensions"
Keyway	OP JS9 C	without keyway light seat	according to DIN 6885 T1
	OS ... D	without pinhole diameter „Øl“/measure “f” (e.g. 3.8/12) others on request	see table "Special versions", depending on hand-wheel type, only with hub thread "ONG"
Hub thread	ONG ... E	without hub thread thread "n"/measure "f" (e.g. M4/12) others on request	see table "Special versions", depending on handwheel type, only with pinhole "OS"
	PM PS F	position indicator mounted separate position indicator	
Hub turned down	OAN G	without turned-down hub turned-down hub on request	only KHB9

\* separate ordering of position indicator required! (see pages 74-82)

### Order code



Scope of delivery: KHB...

#### Accessories:

Handles  
End plate

Page 102  
Page 103

#### Additional information:

General information and areas of application

Page 68 cont.