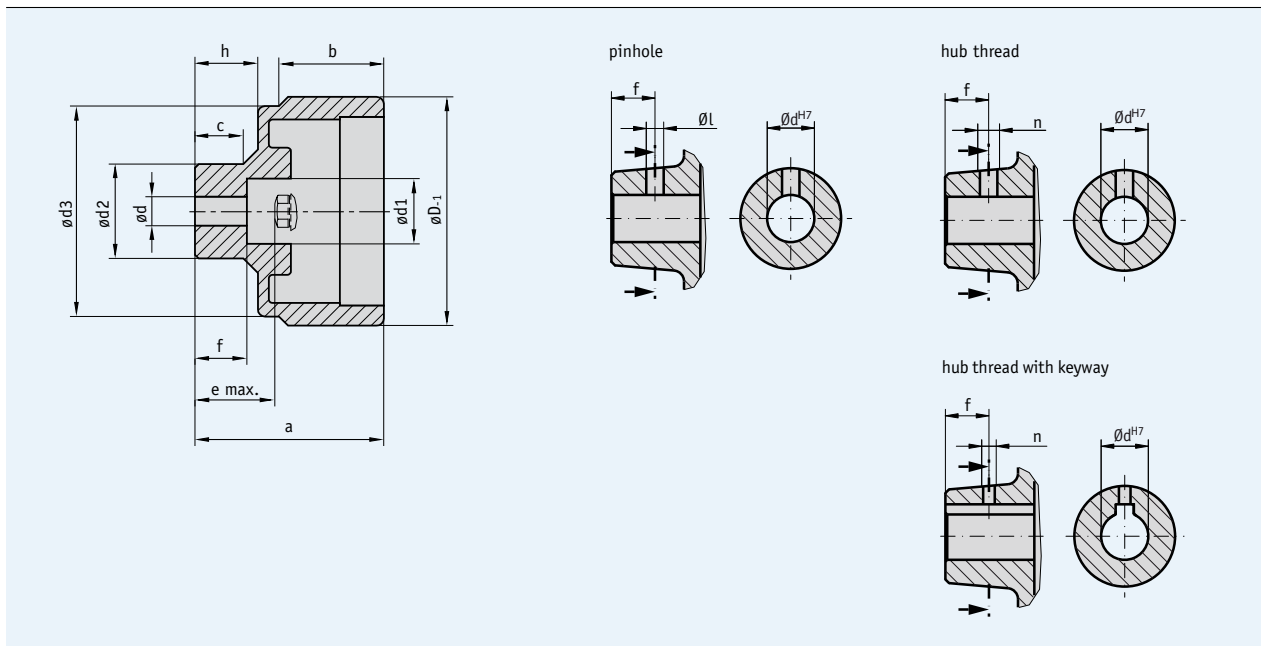


Profile

- Low-cost and compact turning handle made of glass-fiber reinforced plastic
- Various sizes
- Surface with rounded edges avoids accumulation of dirt
- Hub made of plastic or metal
- Various hub versions



Mechanical data

■ Dimensions

| type | Hub | ØD | Ødv | Ødx | Ød1 | Ød2 | Ød3 | a | b | c | e | f | h | suitable for | weight | material |
|-------|---------|----|-----|------------------------|------|-----|-----|----|------|------|------|------|------|---------------|--------|----------|
| HG 5 | plastic | 63 | | 6 ... 12 ^{H9} | 13 | 21 | 58 | 49 | 28.9 | 14.3 | 19.2 | 17.3 | 14.3 | S50/1 | 0.1 kg | plastic |
| | metal | 63 | 5.8 | 6 ... 16 ^{H7} | 18 | 26 | 58 | 52 | 28.9 | 13.3 | 22.2 | 14.3 | 17.3 | S50/1 | 0.1 kg | plastic |
| HG 10 | plastic | 98 | | 6 ... 16 ^{H9} | 16 | 30 | 93 | 56 | 31.5 | 18.7 | 22.8 | 20.7 | 18.7 | S80/1; SZ80/1 | 0.2 kg | plastic |
| | metal | 98 | 5.8 | 6 ... 16 ^{H7} | 25.5 | 35 | 93 | 59 | 31.5 | 18.2 | 25.8 | 18 | 21.7 | S80/1; SZ80/1 | 0.2 kg | plastic |

dv = d predrilled

■ Special versions

| Handwheel type | HG 5 | | | | HG 10 | | | | |
|-----------------------------|--------------------|--------|--------|---------|---------|--------|--------|-----------|-------|
| Plastic hub | • | • | • | • | • | • | • | • | |
| Metal hub | • | • | • | • | • | • | • | • | |
| Bore dH7 | 6, 8 | 9, 10 | 12 | 14* | 6 ... 8 | 9, 10 | 11, 12 | 13 ... 16 | |
| Groove width for keyway JS9 | | 3 | 4 | 5 | | 3 | 4 | 5 | |
| Pinhole | 3.8/10 | 3.8/10 | 3.8/10 | 4.8/10* | 3.8/10 | 3.8/10 | 3.8/10 | 4.8/10 | |
| Hub thread | without keyway JS9 | M4/10 | M4/10 | M4/10* | M6/10* | M4/10 | M4/10 | M4/10 | M6/10 |
| | with keyway JS9 | M3/10 | M3/10 | M3/10 | | M3/10 | M3/10 | M4/10 | |

*) not possible with plastic hub, special versions available on request. Note: Characters highlighted in orange are order features.

Order

Order table

| Feature | Order data | Technical data | Additional information |
|--------------------------------|-----------------|--|--|
| Handwheel type | HG... A | 5, 10 | see "Dimensions" |
| Hub material | A K VA | B aluminum plastic reinforced Nirosta | |
| Bore Ød | d vorg. ... | C predrilled 6 ... 16 d max. in mm steps (H7) | see "Dimensions", value Ødv see "Dimensions" |
| Keyway | OP JS9 P9 | D without keyway light seat tight seat | according to DIN 6885 T1, only with hub material VA + A according to DIN 6885 T1, only with hub material VA + A |
| Pinhole (only without keyway) | OS ... | E without pinhole diameter "Ø"/measure "f" (e.g., 3.8/10) others on request | see table "Special versions", depending on handwheel type, only if hub thread "ONG" |
| Hub thread | ONG ... | F without hub thread thread "n"/measure "f" (e.g., M4/12) others on request | see table "Special versions", depending on handwheel type, only if pinhole "OS", only with hub material VA + A |
| Hub turned down | OAN | G without turned-down hub others on request | |
| Position indicator mounted (*) | PM PS | H position indicator mounted separate position indicator | |

* separate order of a position indicator required (see pages 74-82)

Order code



Scope of delivery: HG...

Accessories:
End plate

Page 103

Additional information:
General information and areas of application

Page 68 cont.