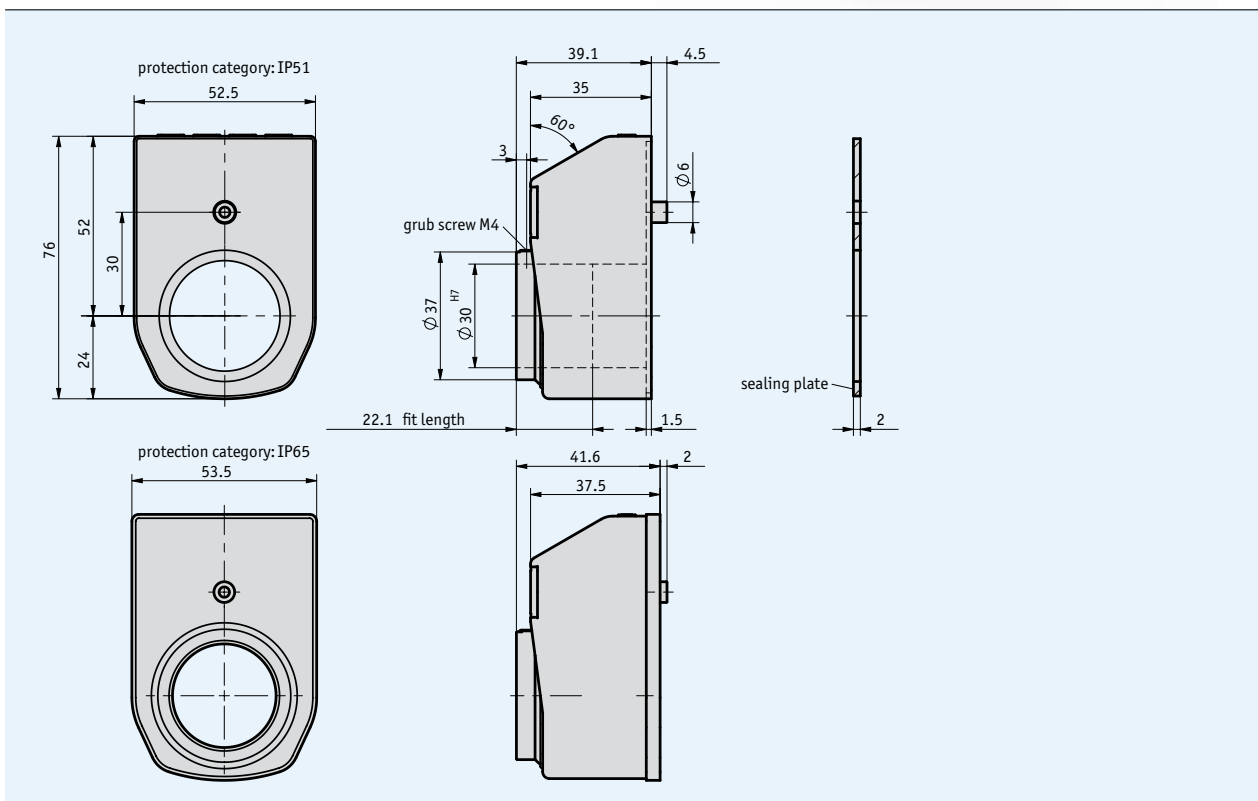


Profile

- Freely programmable via keys on the device
- Hollow shaft max. \varnothing 30 mm
- Hollow shaft made of stainless steel
- LCD display with 6 digit and special characters
- Digit height approx. 11 mm
- Long battery service life
- Easily exchangeable batteries (Standard AAA)
- Incremental measurement function, display of absolute value
- High protection category



Mechanical data

Feature	Technical data	Additional information
Hollow shaft	\varnothing 30H7, plain bearing, stainless steel	
Housing	plastic	
Shock resistance	30 g/15 ms	according to DIN-IEC 68-2-7
Vibration resistance	10 g/(5 ... 150 Hz) 20 g/(100 ... 2000 Hz)	according to DIN-IEC 68-2-6 according to DIN-IEC 68-2-6
Operating temperature	-10 °C ... +60 °C	
Storage temperature	-30 °C ... +80 °C	
Humidity	condensation not permitted	
Protection category	IP51, IP65	
System accuracy	$\pm 0.25^\circ$	
Speed	max. 600 rpm (100 % operation time)	
Weight	~ 0.13 kg	

Electrical data

Merkmal	Technische Daten	Ergänzung
Display	LCD display, 6-digit, 11 mm digit height	
Display range	-199 999 ... +999 999	LCD display, ~11 mm digit height
Supply	integrated battery compartment	exchangeable by customer
Operating voltage	2 x 1.5 VCD, > 1000 mAh	2 x AAA batteries, ~2 years service life
EMC	DIN EN 611000-4-2 DIN EN 611000-4-4	

Order

■ Order table

Feature	Order text	Specification	Additional information
Hollow shaft / diameter in mm	30	∅ 30H7	
	20	∅ 20H7	
	RH25	reduction sleeve ∅ 25H7	
	RH14	reduction sleeve ∅ 14H7	
	RH12	reduction sleeve ∅ 12H7	
	...	others on request	
Colour	0	orange RAL 2004	
	S	black RAL 9005	
Protection category	IP51		
	IP65		

■ Order code

DE10P - - - -

Scope of delivery: DE10P, User information