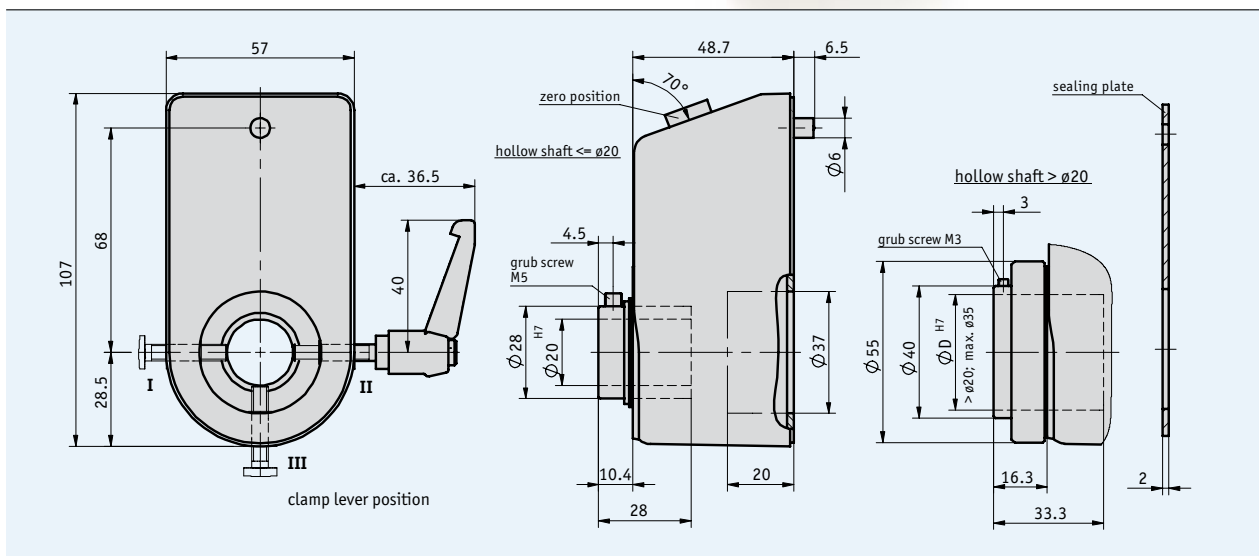


Profile

- Extremely sturdy design in a metal housing
- Hollow shaft, max. \varnothing 35 mm
- Counter with 4 or 5 decades
- Zeroing function
- Clamp lever integrated in the design
- Stainless-steel driving shaft as an option
- Reversible counting direction



Mechanical data

Feature	Technical data	Additional information
Counter	4 decades, fine reading	
Digit height	approx. 4.5 mm	
Housing	zinc die-cast	
Weight	0.7 kg	
Counting direction	adjustable	
Zero setting	selectable	
Ambient temperature	max. +80 °C	

Max. speed

Indication after 1st revolution	Max. speed (rpm)	
	with zero setting	without zero setting
(0)0010	500	1200
(0)0020	250	600
(0)0025	200	480
(0)0030	165	400
(0)0040	125	300
(0)0050	100	240
(0)0060	85	200
(0)0080	60	150
(0)0100	50	120

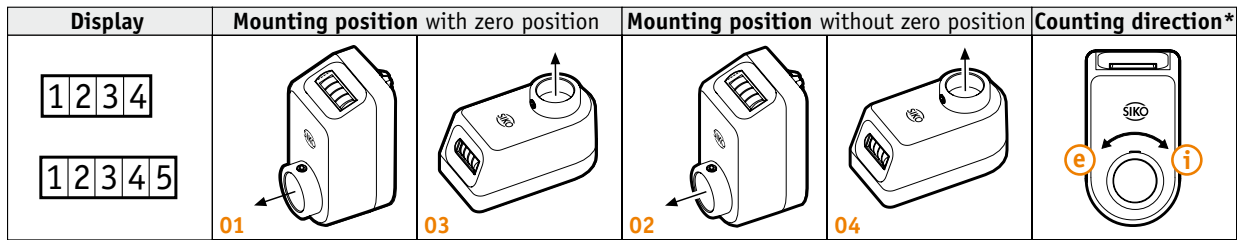
Formula for:

$$\text{max. speed with (without) zero setting} = \frac{5000 (12000)}{\text{Indication after 1}^{\text{st}} \text{ revolution}}$$

Speeds >500 rpm must only be run for short periods.

Order

■ **Design**



Note: Characters highlighted in orange are order features

■ **Order table**

Feature	Order data	Specification	Additional information
Design/mounting position	01	A with zero setting	see the icons illustrating the mounting positions
	02	without zero setting	
	03	with zero setting	
	04	without zero setting	
Counter/digits	4	B decades	
	5	decades	
Indication after 1 st revolution	...	C 10, 15, 16, 20, 25, 30, 40, 50, 60, 80, 100	
		others on request	
Decimal place	0	D 0 = 00000	only with 5 decades
	1	1 = 0000.0	
	2	2 = 000.00	only with 5 decades
	3	3 = 00.000	only with 5 decades
	4	4 = 0.0000	only with 5 decades
Counting direction = ascending values	i	E clockwise	
	e	counter-clockwise	
	e/i	customer-adjustable	by opening the housing, see technical details
Hollow shaft/diameter (mm)	...	F 19, 20, 25, 35	
	VA20	∅ 20 mm	stainless steel
	...	RH8, RH10, RH12, RH14, RH16, RH18	reducing bush
Housing color	0	G orange RAL 2004	
	S	black RAL 9005	
Clamp lever/position	OKL	H without clamp lever	
	I	position I	
	II	position II	
	III	position III	

■ **Order code**



Scope of delivery: DA08