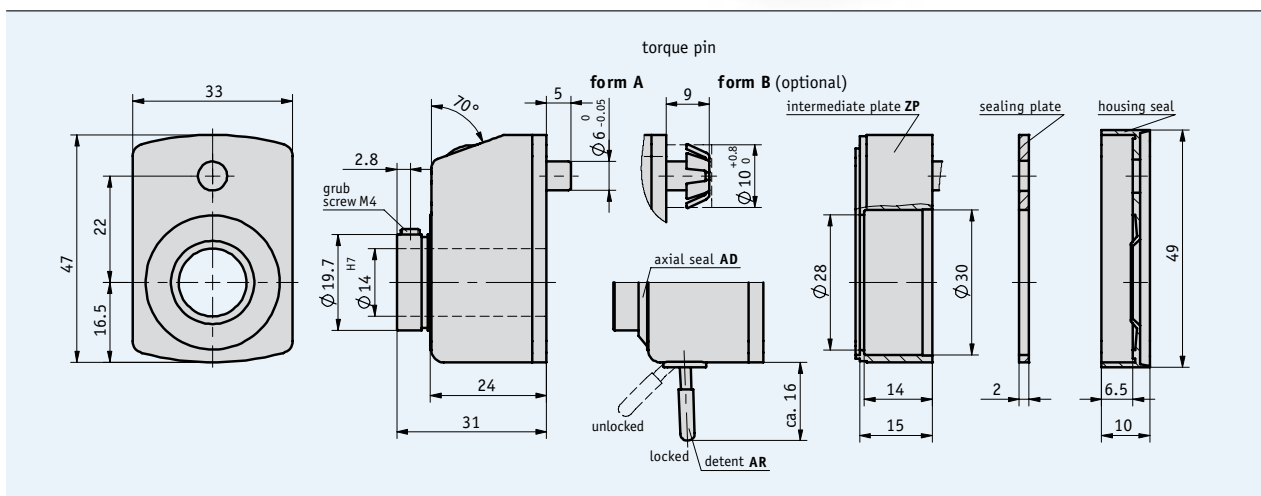


Profile

- Hollow shaft, max. Ø 14 mm
- Counter with 4 decades and fine reading
- Detent as an option
- Magnifying function for good readability
- Stainless-steel driving shaft as an option
- Axial seal, dustproof and hose-proof
- Clamping plate (see accessories)



1.1



Mechanical data

| Feature | Technical data | Additional information |
|---------------------|-------------------------|------------------------|
| Counter | 4 decades, fine reading | |
| Digit height | approx. 6 mm | |
| Housing | plastic, reinforced | |
| Window | plastic | optional mineral glass |
| Weight | 0.05 kg | |
| Ambient temperature | max. +80 °C | |

Max. speed

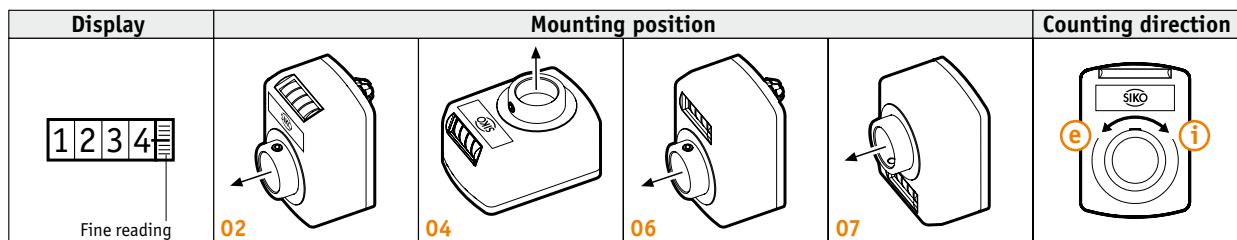
| Indication after 1 st revolution | Max. speed (rpm) |
|---|------------------|
| 0010 | 500 (1500) |
| 0015 | 500 (1000) |
| 0020 | 500 (750) |
| 0025 | 500 (600) |
| 0030 | 500 |
| 0040 | 375 |
| 0050 | 300 |
| 0060 | 250 |
| 0080 | 180 |
| 0100 | 150 |

$$\text{Formula for max. speed} = \frac{15\,000}{\text{Indication after 1}^{\text{st}} \text{ revolution}}$$

Speeds >500 rpm must only be run for short periods.

Order

■ Design



Note: Characters highlighted in orange color are order features

■ Order table

| Feature | Order data | Technical data | Additional information |
|---|----------------------|--|---|
| Design/mounting position | ... A | 02, 04, 06, 07 | see the icons illustrating the mounting positions |
| Indication after 1 st revolution | ... B | 10, 12/5, 15, 17/5, 20, 25, 30, 35, 40, 50, 60, 80, 100 others on request | /5 = arithmetical value not displayed |
| Decimal place | 0 1 2 3 C | 0 = 0000 1 = 000.0 2 = 00.00 3 = 0.000 | |
| Counting direction = ascending values | i e D | clockwise counter-clockwise | |
| Hollow shaft/diameter (mm) | E | 14, 12.7, 15, 16 VA5, VA10, VA14, VA15 RH4, RH6, RH8, RH10, RH12 | stainless steel reducing bush |
| Housing color | 0 S GR FR F | orange RAL 2004 black RAL 9005 gray RAL 7035 blazing red | |
| Seal | OAD AD GD G | without additional seal with axial seal with axial and housing seal | |
| Detent/hollow shaft | OAR AR H | without detent with detent | anti-vibration protection M ~ 20 Ncm |
| Intermediate plate | OZP ZP I | without intermediate plate with intermediate plate | not with seal „GD“ |

■ Order code

DA04 - - - - - - - - A - K - - - - BP - ORP

Scope of delivery: DA04

Accessories:

Reducing bushes
Clamping plate KP04

Page 108
Page 102

Additional information:

General information and areas of application

Page 8 cont.