

Remote Display AP24



Features:

- For tool change and setpoint setting
- Remote display without actual value measurement
- Control key for acknowledging
- Integrated bus interface (RS485)
- Two-line LCD display
- User guidance via bicolour LED
- M8 plug-in connector

SIKO GmbH

Address

Weiherrmattenweg 2
79256 Buchenbach

Telephone

+49 7661 394-0

Fax

+49 7661 394-388

eMail

info@siko.de

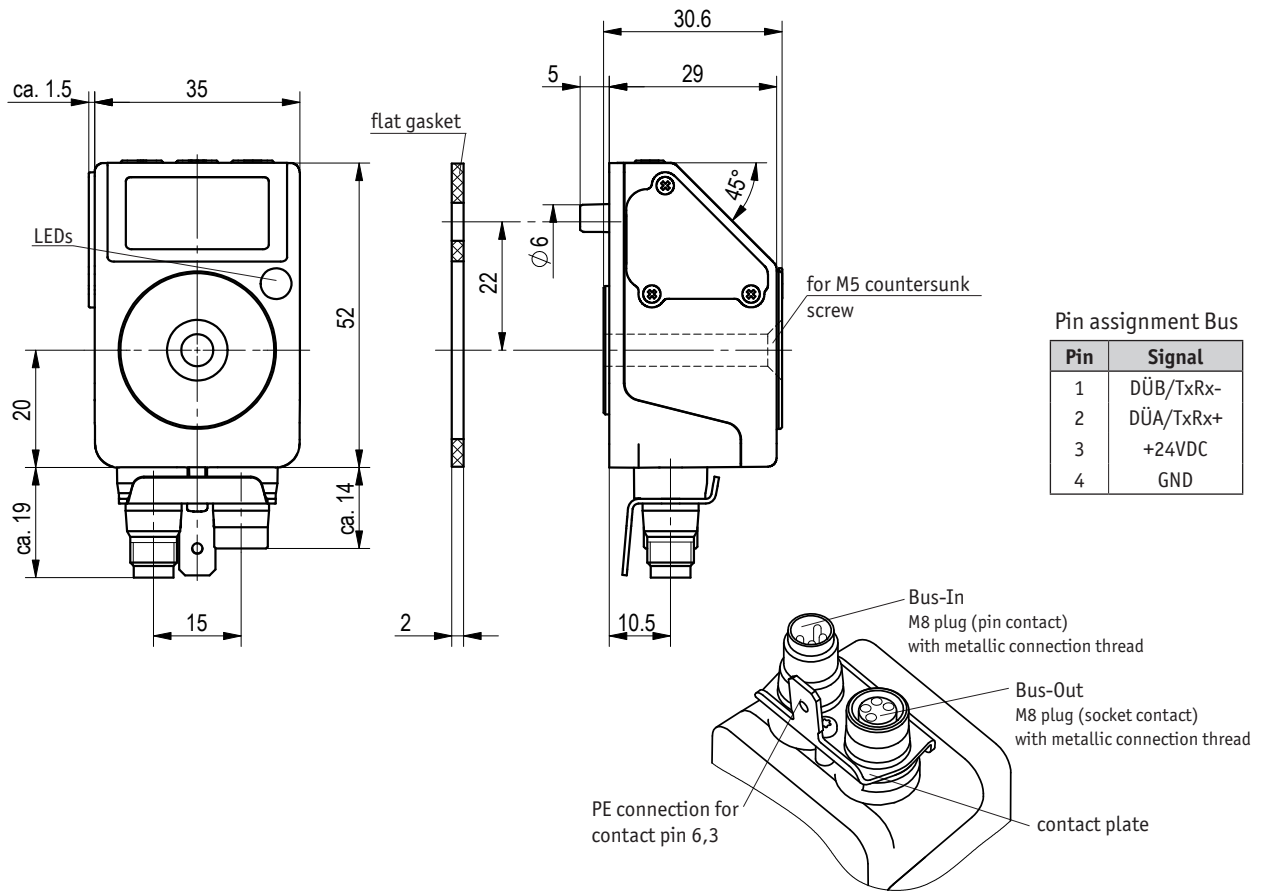
Internet

www.siko.de

| Features | Order text | Additional information |
|--------------------|----------------|------------------------|
| Interface/protocol | S3/00 RS485 | |
| Protection | IP54 B IP65 | standard |
| Software | S C | standard |

Your ordering: - - -

Remote Display AP24



Pin assignment Bus

| Pin | Signal |
|-----|-----------|
| 1 | DÜB/TxRx- |
| 2 | DÜA/TxRx+ |
| 3 | +24VDC |
| 4 | GND |

Technical data

Mechanical data:

| | |
|---------------|---------------------|
| Housing | plastic, reinforced |
| Housing color | black, RAL 9005 |

Environmental conditions:

| | |
|-----------------------|----------------------------|
| Operating temperature | 0° ... 60 °C |
| Storage temperature | -20 °C ... +80 °C |
| Humidity | condensation not permitted |
| Protection | IP54 IP65 |

Additional information

metallic connector thread

Electrical data:

| | | |
|-------------------|--|---|
| Supply voltage | 24 VDC $\pm 20\%$ | |
| Power consumption | approx. 20 mA | if operated with LEDs, plus approx. 3 mA per LED |
| Connection | 2 x M8 connector | 4-pin, 1x socket, 1x plug, additional shield connection via flat connector 6,3 mm |
| Bus connection | RS485 | no galvanic isolation |
| Display | LCD | 7-segment + decimal points; 2 lines of 5 digits each, special characters |
| Special signs | left arrow, right arrow, incremental measurement | |
| Display size | figures approx. 7 mm high | |
| Signal display | 2-colour LED (red / green) | programmable position status |
| Keyboard | acknowledgement, parameterization | |

Accessory

| | | |
|----------|--------------------------------|--------------------|
| BAS-0005 | bus termination connector | |
| KV04S1 | cable extension | |
| 84209 | mating connector, 4 pin socket | M8 can be shielded |
| 84210 | mating connector, 4 pin plug | M8 can be shielded |