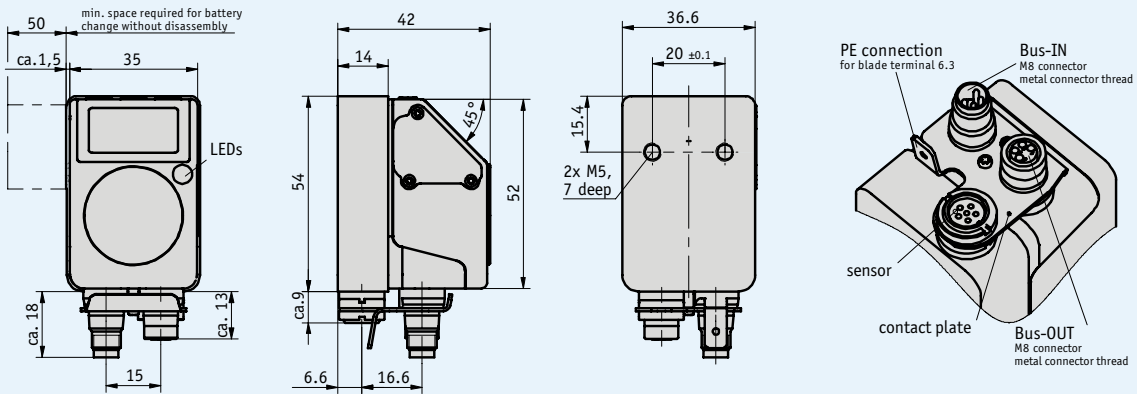


### Profile

- Electronic position indicator with plug connection for magnetic sensor
- Requires magnetic sensor MS500H and magnetic band MB500
- Easily readable, two-line LCD for target and actual values
- Integrated RS485 interface, CAN bus as an option
- Display accuracy up to 0.01 mm
- Absolute function via internal backup
- User guidance via bicolor LED



### Mechanical data

Feature	Technical data	Additional information
Operating temperature range	0 ... 60 °C	
Storage temperature range	-20 ... +80 °C	
Protection category	IP54	optional IP65
Housing	plastic reinforced	metal connector thread
Mounting plate	steel browned	
Housing color	black, RAL 9005	

## Electrical data

Feature	Technical data	Additional information
Operating voltage	24 V DC ±20 %	
Current consumption	approx. 20 mA	
Battery life	approx. 5 years	
Type of connection	2x M8 connector	4-pin, 1x bush, 1x connector, additionally screen connection via flat-cable plug 6.3 mm
Sensor connection	M8 connector	
Bus connection	CAN bus or RS485	no galvanic isolation
Display	LCD display	7-segment + decimal points; 2 lines of 5 digits each, special characters
Special characters	left arrow, right arrow, increm. measur., replace battery	
Display size	approx. 7 mm digit height	
Signal indicator	bicolor LED (red/green)	
Keys	incremental measurement function, parameterization, reset	
Scanning	external sensor	
System accuracy	±35 µm	for use with MS500H
Measuring length	±655 m	for use with MS500H
Resolution	720 increments/revolution	for use with GS04
Encoded number of revolutions	≤7281	for use with GS04

## Pin assignment

### ■ Interfaces

RS485	CAN-Bus	PIN
TxRx-/DÜB	CANL	1
TxRx+/DÜA	CANH	2
+24 V DC	+24 V DC	3
GND	GND	4

## Order

### ■ Order Note

The following system components are required (optionally):

Magnetic sensor MS500H, Magnetic band MB500 Page 42, 44  
 Hollow shaft sensor GS04 www.siko.de

### ■ Order table

Feature	Order text	Specification	Additional information
Interface/protocol	S3/00	A RS485/SIKONETZ3	
	S3/09		RS485/SIKONETZ5
	CAN		CANopen
Protection category	IP54	B	
	IP65		

### ■ Order code

AP04S - A - S - B

**Scope of delivery:** AP04S, User information

#### ➔ Accessories:

Mating connectors Page 106  
 Cable extension Page 107  
 Battery unit Page 108

#### Additional information:

General information and areas of application Page 26 cont.