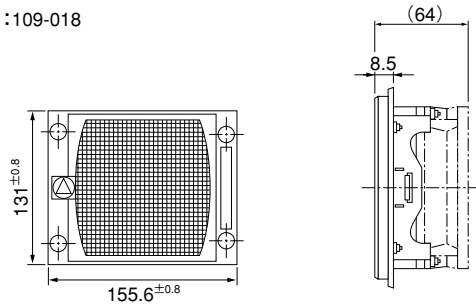


Accessory

Filter kits

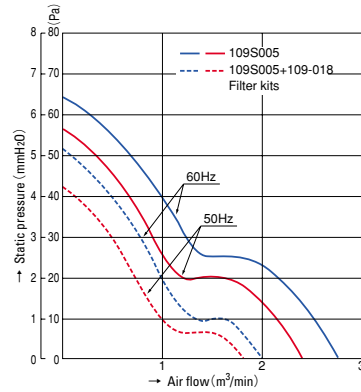
Dimensions (unit : mm)

Model : 109-018

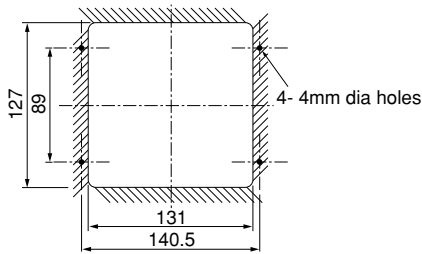


- Material : Stainless steel wire mesh
- Mesh : 16-mesh nets in 3 layers
- Cover : Resin
- Metal fittings : Steel (chromate-plated)
- Applicable models: For both AC SAN ACE and AC New SAN ACE (except for models with an alarm device)

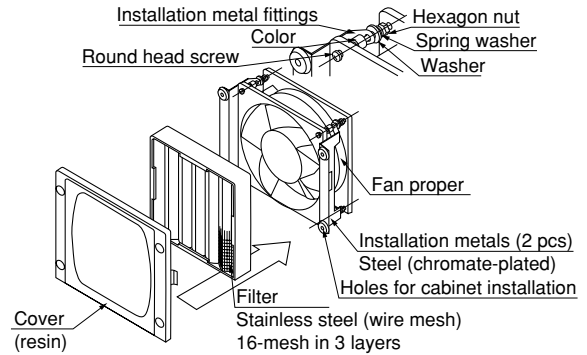
Comparison table of characteristics of air flow versus static pressure (with a double chamber measuring unit)



REFERENCE DIMENSIONS OF INSTALLATION HOLES (in : mm)



REFERENCE DIAGRAM FOR INSTALLATION

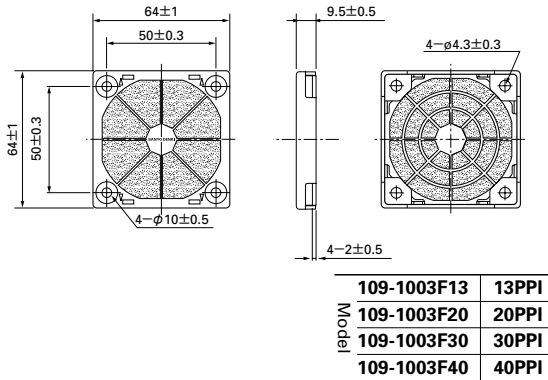


Filter kits
Resin filter kits

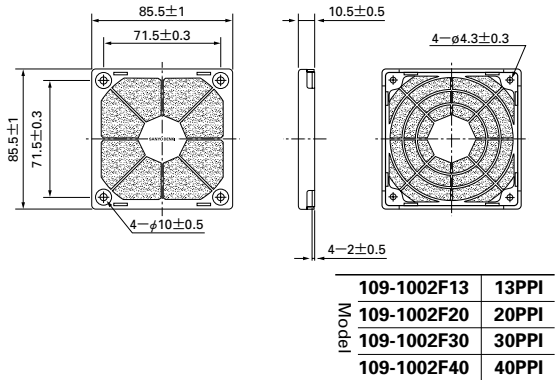
Resin filter kits

Dimensions (unit : mm)

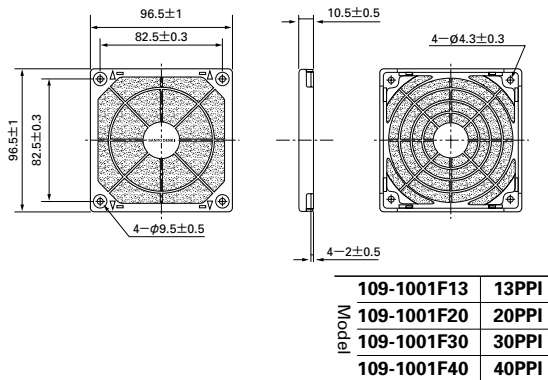
60mm type



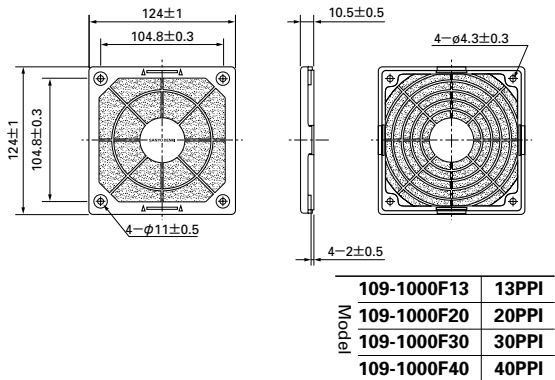
80mm type



92mm type



119mm type



Material

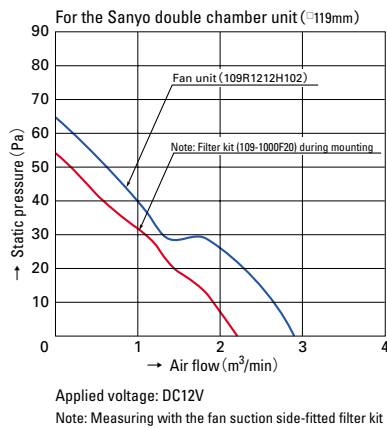
Guard,cover : (SPS+PS alloy) Resin
 UL File No.E48268 94V-0
 Filter : Polyurethane foam
 UL File No.E74916(S) 94HF-1

Replacement filter (5 sheets each)

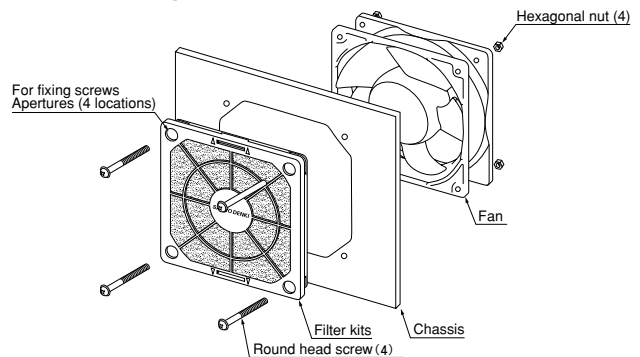
60mm	109-1003M13	13PPI	80mm	109-1002M13	13PPI
	109-1003M20	20PPI		109-1002M20	20PPI
	109-1003M30	30PPI		109-1002M30	30PPI
	109-1003M40	40PPI		109-1002M40	40PPI
92mm	109-1001M13	13PPI	119mm	109-1000M13	13PPI
	109-1001M20	20PPI		109-1000M20	20PPI
	109-1001M30	30PPI		109-1000M30	30PPI
	109-1001M40	40PPI		109-1000M40	40PPI

PPI : Particle Per Inches Displays the number of holes per inch

Typical air flow and static pressure characteristics



Mounting example



Although the filter kit is composed of 3 components, including a guard, a filter and a cover, it is delivered as a finished product at delivery, saving assembly time when mounting. The filter and cover can be easily removed from the guard with one touch, removing the need for fan removal when undertaking maintenance, such as for cleaning or replacements. As cooling ability decreases with filter contamination due to clogging, regular replacements are recommended.